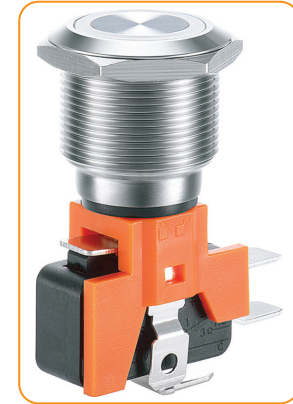
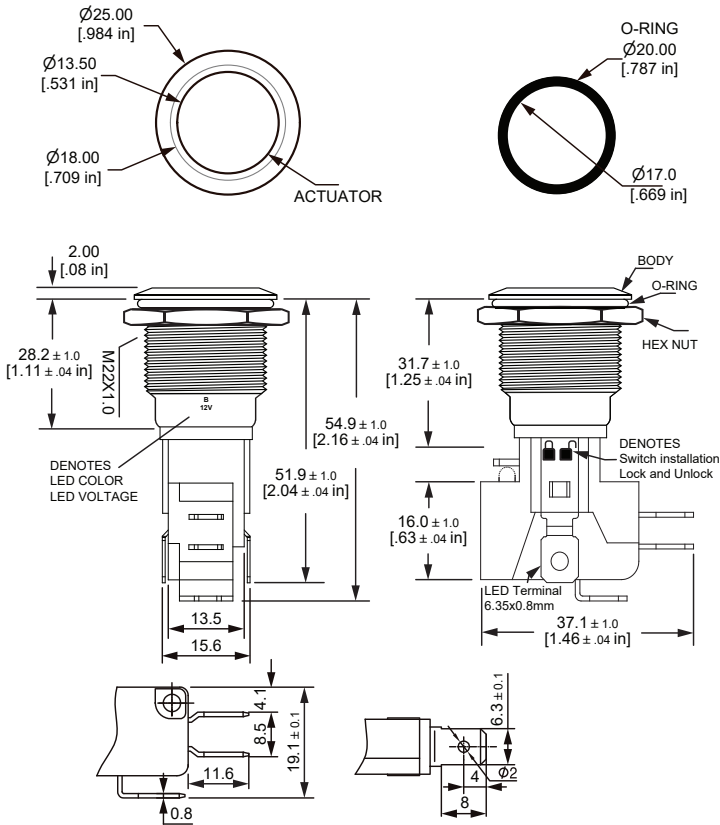
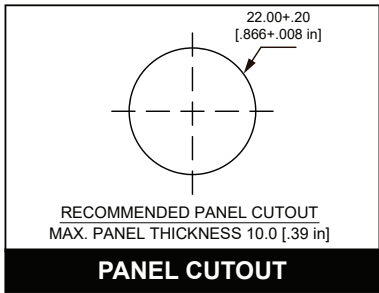


C = Common
 NO = Normally open
 NC = Normally closed

Terminals (-) and (+) used with Illum. option only



| | | |
|---------------------------------|------------------------|-----------------|
| | | PART NO.: 73928 |
| HIGH CURRENT ANTI-VANDAL SWITCH | | |
| FUNCTION | 1NC LATCHING | |
| SIZE | 22MM | |
| CURRENT | 0.6A/125VDC | |
| FINISH | STAINLESS | |
| ILLUMINATION | NON-ILLUMINATED | |
| TERMINAL | QUICK CONNECT TERMINAL | |
| PROTECTION | IP65 /IK09 | |
| AUGUST 2024 | | |
| DIAGRAM NOT TO SCALE | | |